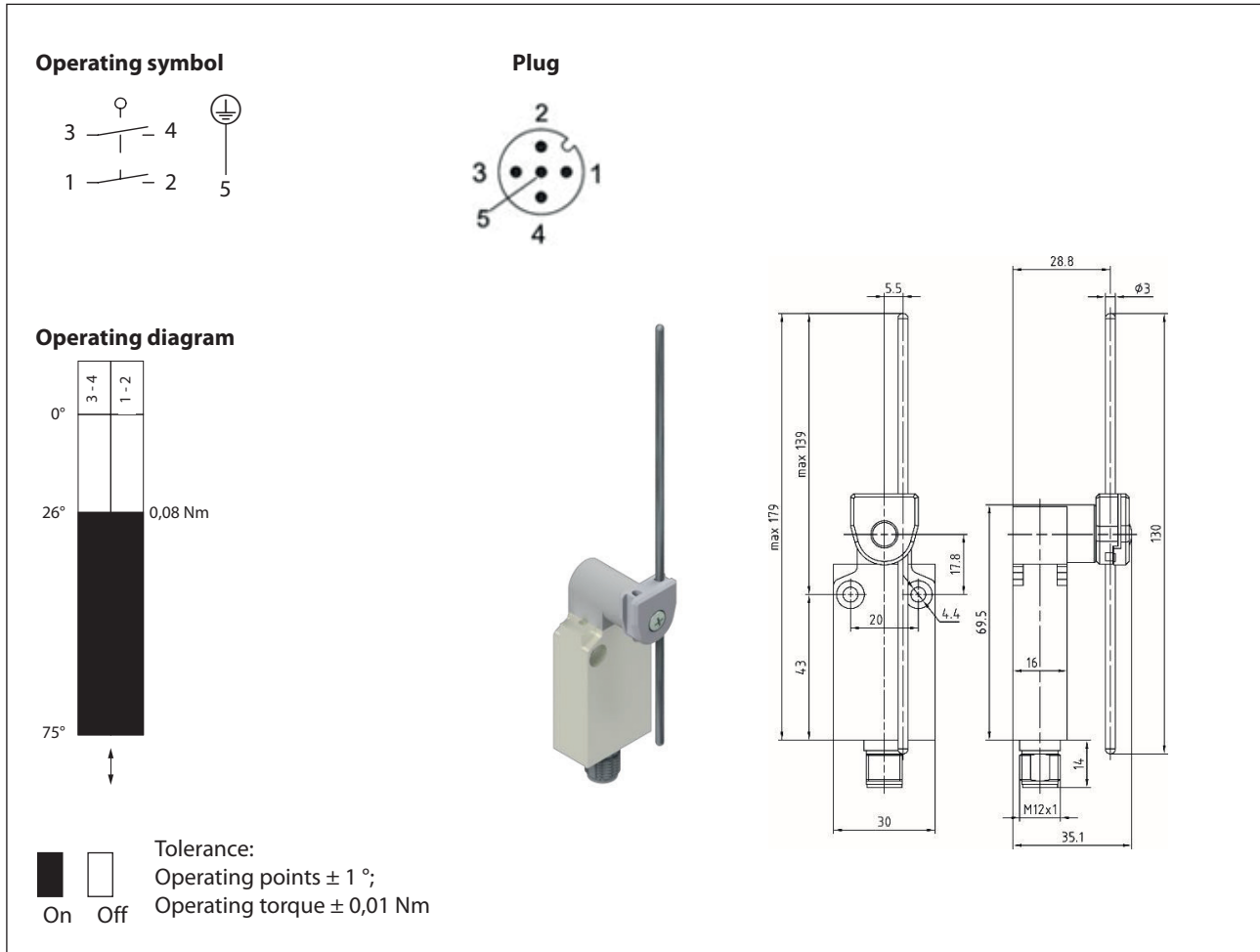


## Metal bodied limit switch Series M49

Description **M49-E2 AD Z M12**

Article number **6023000130**



### Electrical Data

|   |  |
|---|--|
| Rated insulation voltage  | $U_i$ 250 V                              |
| Conv. thermal current   | $I_{the}$ 4 A                            |
| Rated operational voltage   | $U_e$ 240 V AC / 24 V DC                 |
| Utilization category  | AC-15, 240 V / 3 A;<br>DC-13, 24 V / 2 A |
| Short-circuit protective device<br>$U_e < 500$ V a.c. - gG type fuses | Fuse 4 A gG                              |
| Protection class  | I  |

| Mechanical data             |   |
|-----------------------------|---|
| Enclosure                   | Zn die-casting, powder coated, RAL 7001 (silver gray)                     |
| Actuator                    | Axle lever housing (Zn die-casting, galvanized), AD-rod (stainless steel) |
| Ambient air temperature     |   |
| -during operation           | -25 °C ... +70 °C   |
| -for storage                | -40 °C ... +70 °C   |
| Contact type                | Slow action, 2 N.O.   |
| Mechanical life             | 10 x 10 <sup>6</sup> switching cycles                                     |
| Switching frequency         | 3600 / h  |
| Velocity for actuating      | 0,5 m/s   |
| Resistance between contacts | < 25 mΩ   |
| Connection                  | 1 x plug M12x1 ; 5-pole, male   |
| Weight                      | 0,165 kg  |
| Installation position       | All positions are authorized  |
| Protection type             | IP67 acc. to IEC/EN 60529   |

| Standards        |
|------------------|
| DIN EN 60947-5-1 |

| EU Conformity  |
|--|
| acc. to directive 2014/35/EU (Low-Voltage-Directive) |

| Approvals                      |
|--------------------------------|
| cUL <sub>US</sub> (B300, R300) |

| Notes   |
|---|
| Type 4 -X – 6 enclosure (“outdoor use - raintight - watertight corrosion resistant“) acc. to UL50 |